

6

5

4

3

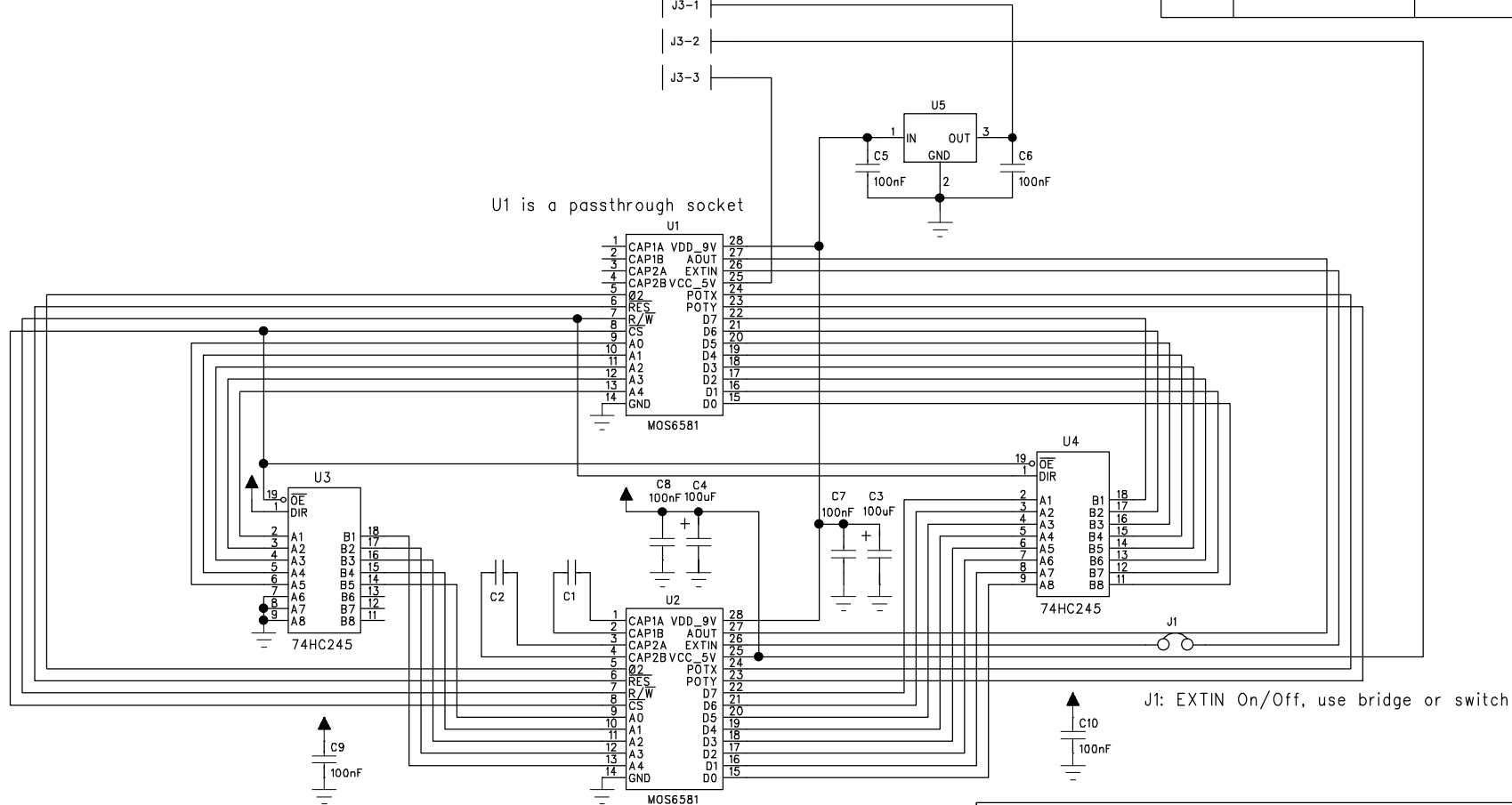
2

1

REVISION RECORD			
LTR	ECO NO:	APPROVED:	DATE:

Jumper J3: 1/2 Extra +5V regulator
 2/3 +5V from SID socket

U1 is a passthrough socket



C3, C4, and C7-C10 are bypass capacitors for U2-U4

J1: EXTIN On/Off, use bridge or switch

DRAWN:	DATED:
CHECKED:	DATED:
QUALITY CONTROL:	DATED:
RELEASED:	DATED:

COMPANY:			
TITLE:			
CODE:	SIZE:	DRAWING NO:	REV:
SCALE:		SHEET: OF	

D

D

C

C

B

B

A

A